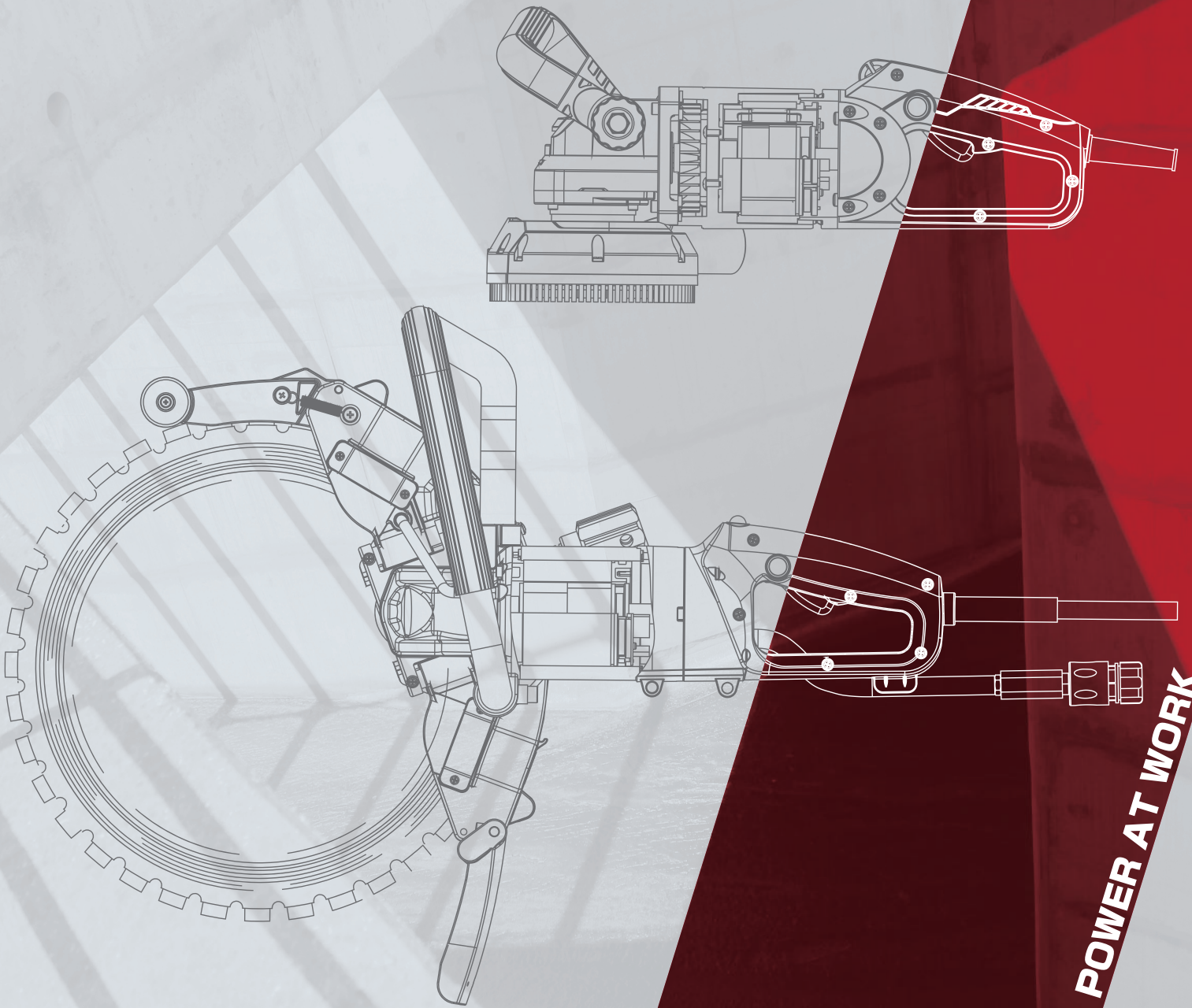


AGP®



POWER AT WORK

AGP Europe Product Catalog

Wet Drilling

Magnesium motor housing and gear case. Lighter and stronger than aluminum.



Built-in levels, for enhanced accuracy and ease of drilling.

Handle balanced, centered with spindle for best power distribution.



Water collector

Capacity & Relevant Rigs



40 mm — **TC402**



50 mm — **DM2**



132 mm — **DM5**



162 mm — **DM6P/D**



202 mm — **DM8P**



250 mm — **DM9**



300 mm — **DM10**



350 mm — **DM12**



400 mm — **DM14**



AS200



S350



S800



Dry Drilling

Front handel inline with spindle for precise control.

Horizontal level for percision

Switchable soft percussion for optimized dry drilling.

Dust extraction port for efficient dry drilling.



Dust extraction

Dry Drilling Equipment

ADD dry drilling system
Core drill from 56 mm - 182 mm



M16 dry drilling system
Core drill from 68 mm - 112 mm



For reinforced concrete
Core drill from 56 mm - 182 mm



DM52D



Capacity: 182 mm

DMC6P/D



Capacity: 182 mm

DM62



Capacity: 162 mm (Reinforced Concrete)
262 mm (Brick)

Diamond Core Drill Stands

AS200



S500



Diamond Drill Stands

AS200



S350



S500



S800



Max. \varnothing

202 mm

352 mm

500 mm

800 mm

\downarrow

500 mm

660 mm

690 mm

760 mm

\angle

45°

45°

45°

45°

AS200



Water Collector



Anchoring Plate



VP140 Vacuum Pump



Vacuum Tank

VB400 Vacuum Plate

Accessories

	AS200	S350	S500	S800
	✓	✓	✓	
	✓	✓	✓	✓
	✓	✓	✓	✓
	✓	✓	✓	✓
	✓	✓	✓	✓

Concrete Sawing

Magnesium blade guard provides maximum strength and minimum weight.

LED Indicator that indicates load conditions.



Cutting Depth



125 mm — **C14**

150 mm — **C16**

175 mm — **C18**



Dust Pickup



Flush Cut



**High Frequency
Brushless Motor**

Ring Sawing & Chain Sawing

One-step blade tensioning system: faster, easier, and more accurate than conventional systems.

LED indicator that indicates load conditions allows operator to cut at maximum efficiency



High stability guide roller keeps the blade stable and centralized at beginning of the cut.

Blade changes can be performed quickly and require no disassembly of the cover.

Cutting Depth



Wall Chasing

Motor equipped with smart electronic control with constant speed, soft start, overload and thermal protection

CG125



CG150



Rollers keep base well supported for smooth guidance over slight surface irregularities.

Built-in laser assists operator to create consistent straight cuts.



LED indicator for optimizing cutting efficiency with overload and overheat warning.



Dust extraction

Guide Rail for CG150



Guide Rail Support for CG150



5 Blades Application



Diamond Saw Blade

Universal



Hard Material



Concrete Grinding



Diamond Cup Wheel & Features

125 mm	G5		Sliding Door	Trolley
125 mm	G125			
125 mm	BG5		High Frequency Brushless Motor	
125 mm	BG125			
180 mm	SM7		Halfmoon Door	
180 mm	G180			

Stone Sawing

SCS7

Quick-release water hose coupling allows fast cutting and longer blade life.

Depth scale.

Parallel guide ensures straight cuts.

Anti-friction strips.



Aluminum Guide Rails



Sanding

SB9

Built-In Half-Moon Door for edge sanding.

Ultra High Efficiency Brushless Motor for unprecedented lightness.



GS9FE

Articulating head follows contours of work surface.

Sponge grip increases operator comfort.

Speed adjustment for adjusting speed to suit application needs.



Dust extraction



Dust Extraction



G5



SM7

DS25L



An L class wet/dry vacuum cleaner for general use with power tools— Ideal for concrete slurry, concrete dust, brick dust, general industrial dust, sawdust.



DM52D



DMC62



DMC6P/D



GS9FE



C14



C16

DS35M



An M class wet/dry vacuum cleaner specially suited for use with power tools which create very fine dusts – Ideal for drywall dust, fine concrete dust, and other fine dusts.



DM6P/D



DM9-12



AGP®

Power At Work

Lee Yeong Industrial Co., Ltd.,
is a power tool and motor manufacturer,
headquartered in Taiwan. We have
been providing AGP brand power
tools worldwide since 1989.



AGP EUROPE

Evenbroekveld 16D,
Erpe Mere, 9420, Belgium
info@agp-powertools.eu
www.agp-europe.eu
+32 5321 6222
+32 5383 8820



AGP TAIWAN

2, Kejia Rd., Douliu City,
Yunlin County 64057, Taiwan
info@agp-powertools.com
www.agp-powertools.com
+886-5-5518689
+886-5-5518635